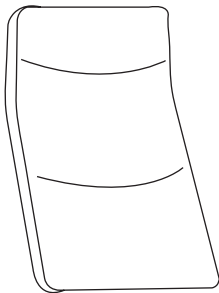


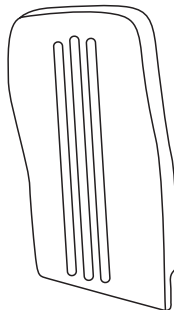
Scan this QR code for an instructional video.
<https://vimeo.com/340769321/ca918e0ff2>

Parts List



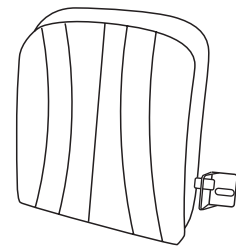
Seat Back Cushion

A



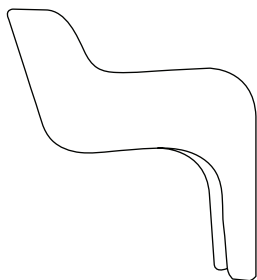
Seat Back Shell

B



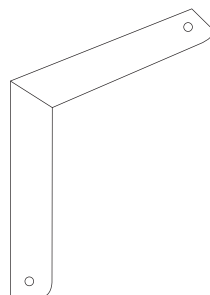
Seat Cushion

C



Leg Cover

D



Trim

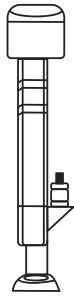
E



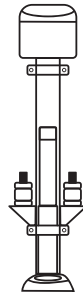
Support Bars

F

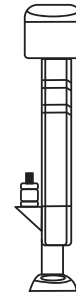
Parts List Continued



Right Chair Leg
G



Middle Chair Leg
H



Left Chair Leg
I

Hardware



Hex Nut (M12)
J



Washers (M12)
K



Short Screws
(M6 x 25mm)
L



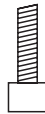
Long Screws
(M6 x 40mm)
M



Short Pointed Screws
(5mm x 20mm)
N



Long Pointed Screws
(5mm x 35mm)
O



Hex Screws
(M6x14mm)
P

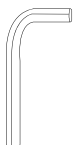


Concrete Anchors (M10)
Q

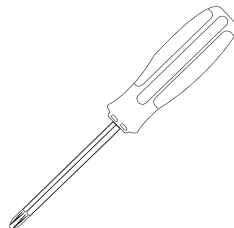


Plastic Caps
R

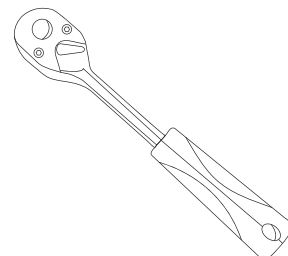
Tools You Will Need



Allen Key

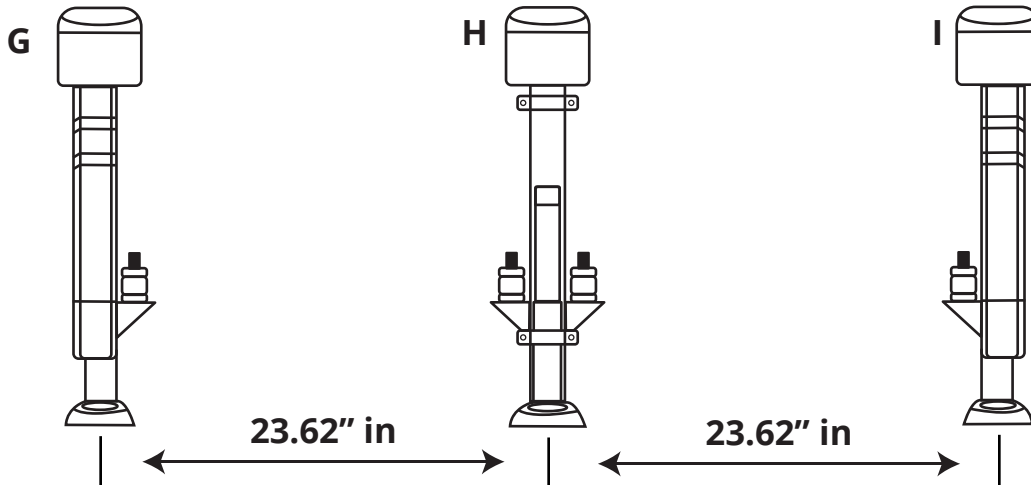


Screw Driver



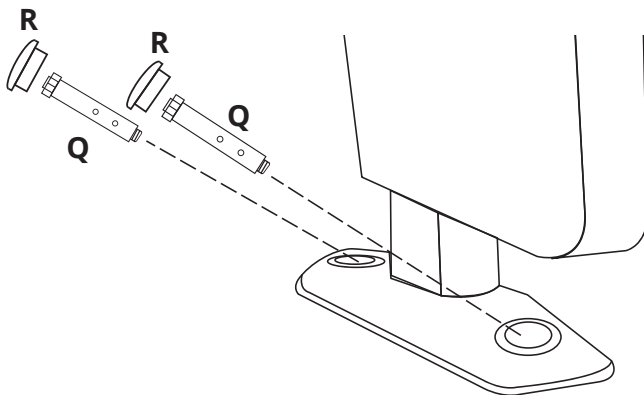
Socket Wrench 3/4in

Set the Positioning



Place **Right Chair Leg (G)** into the desired placement (do not attach to floor). Measure 23.62" in (600mm) then place the **Middle Chair Leg (H)**. Measure 23.62" (600mm), then place **Left Chair Leg (I)**. Measurement is from centerline bolt to the next centerline bolt. Repeat for as many chairs as needed.

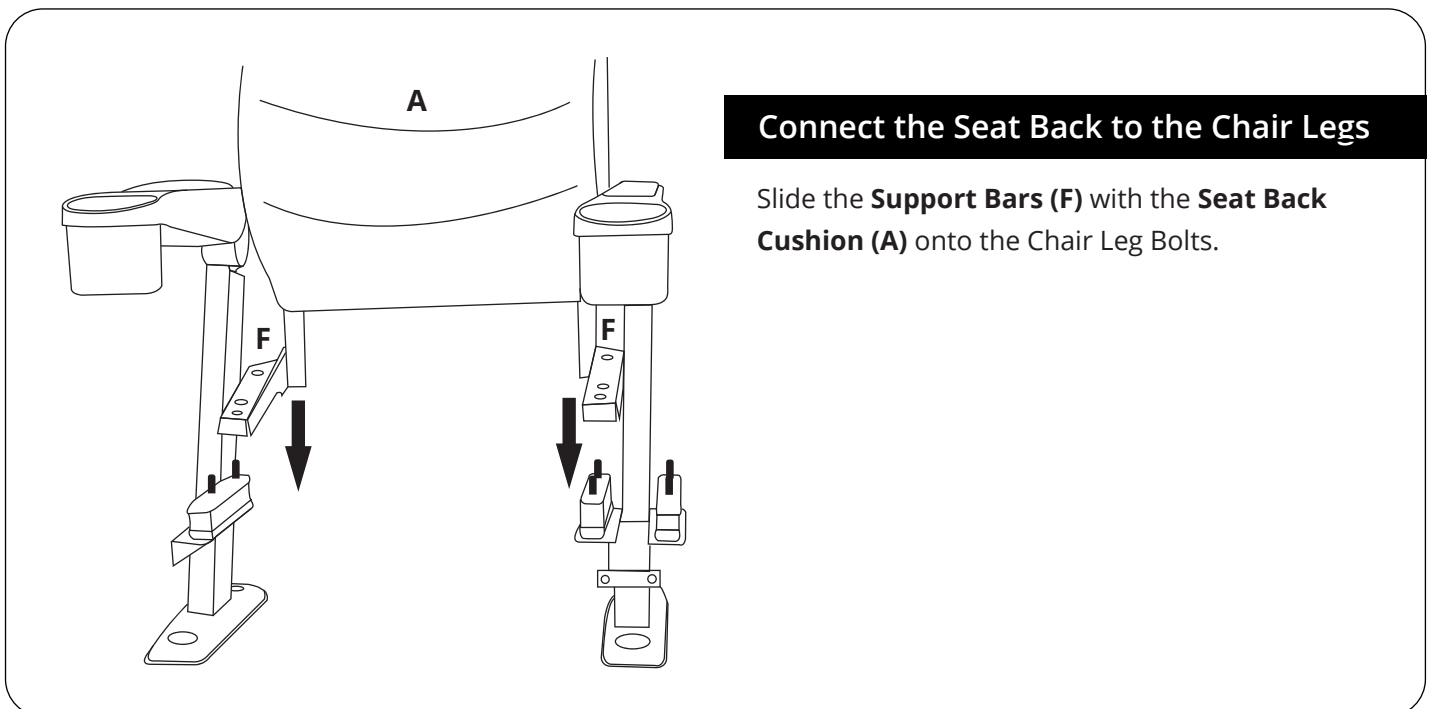
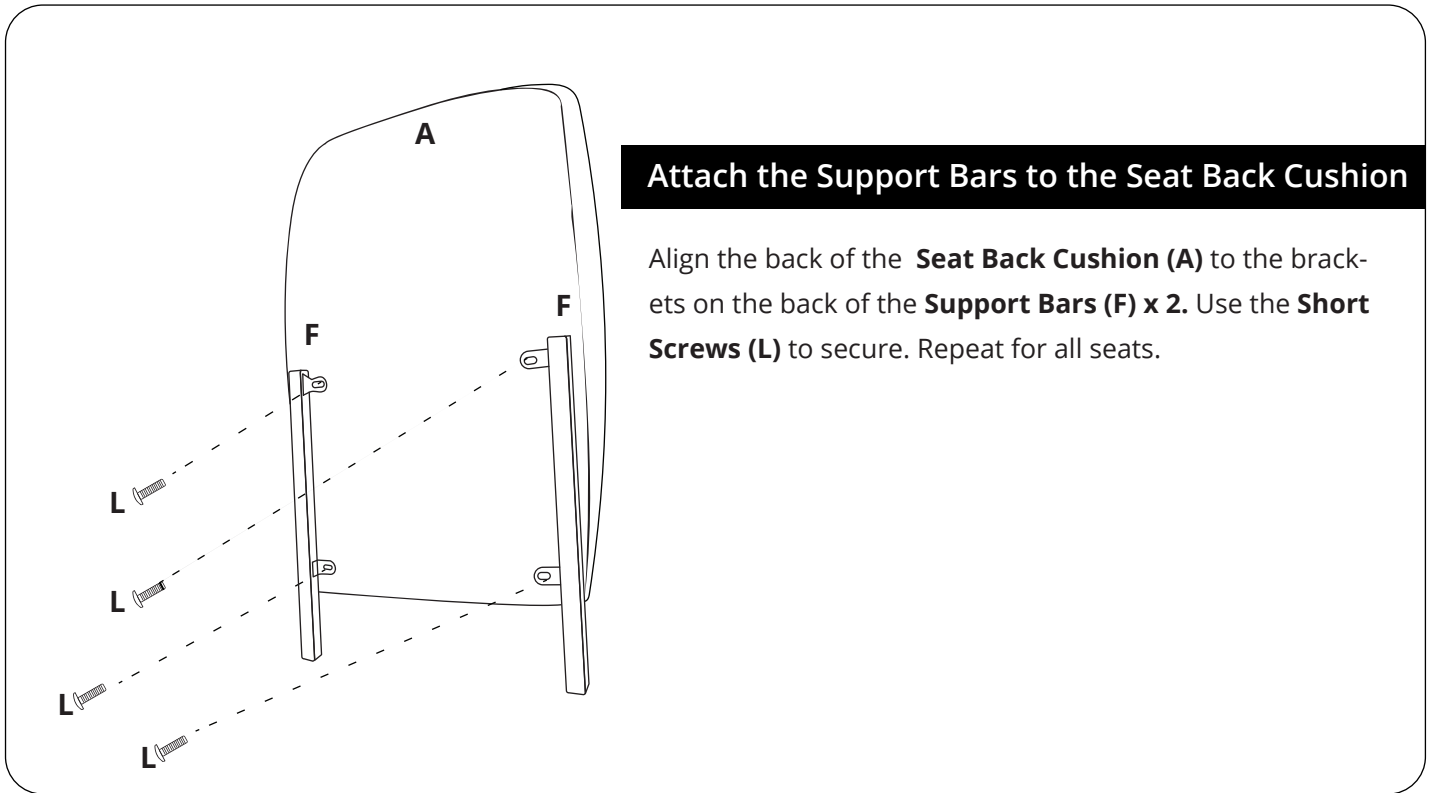
Attach to the Floor

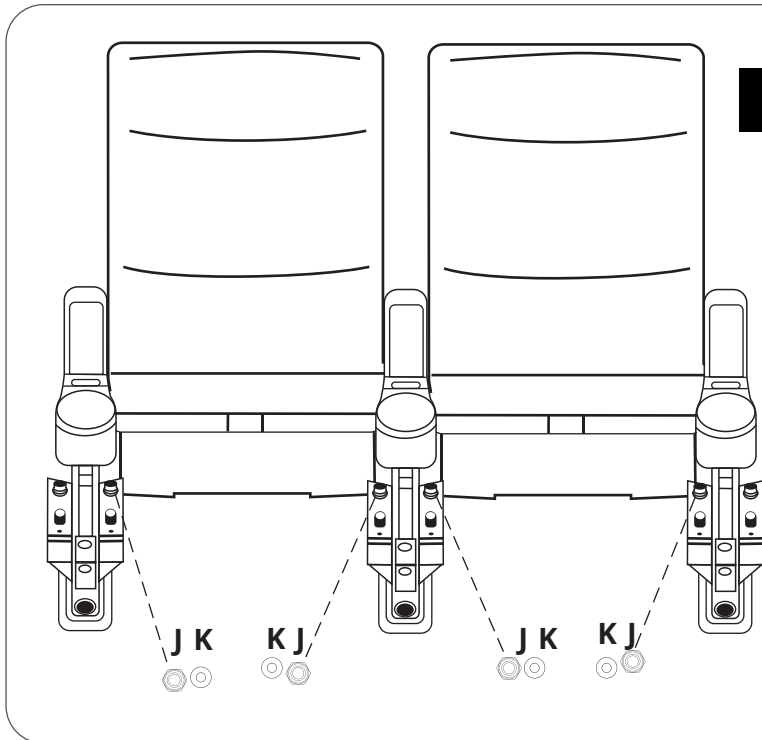


Use the **Concrete Anchors (Q)** to secure the feet of the **Chair Legs** to the floor.

Hide the anchors by placing the **Large Plastic Caps (R)** over the holes.

Important Note: Please utilize the correct hardware for your floor type. For example, if your facility has **wood flooring** you may need to use Lag bolts (not included) in place of Concrete Anchors.

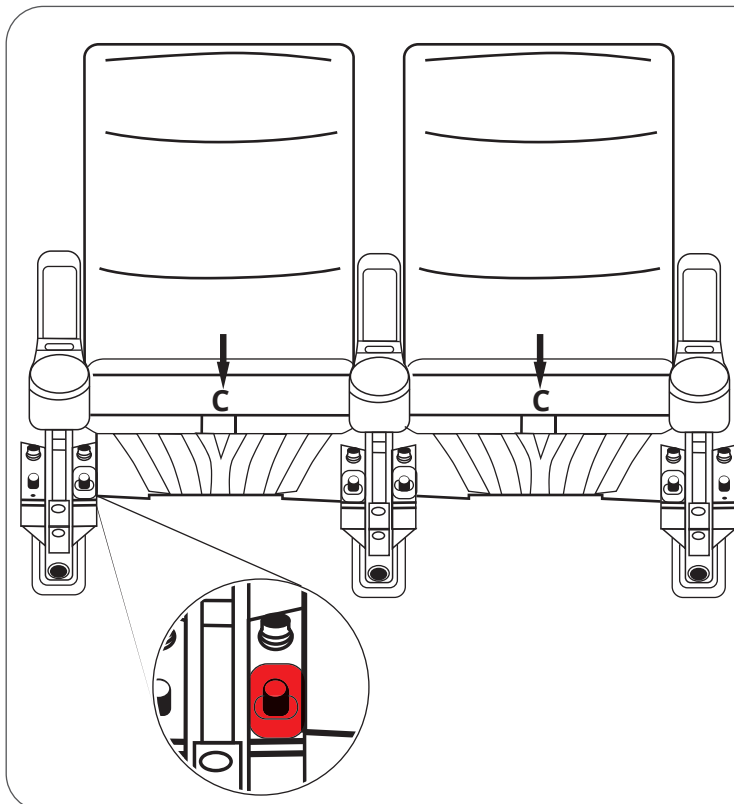




Secure the Seat Back to the Chair Legs

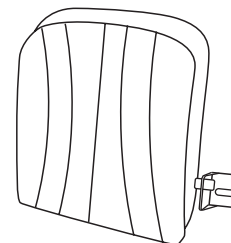
Use the **Hex Nuts (J)** and **Washers (K)** to attach the **Support Bars (F)** onto the **Chair Legs**.

Note: At this stage only secure the back bolt.



Placing the Seat Cushion

Use the hinge brackets that are attached to the **Seat Cushion (C)** and place them onto the Chair Leg Bolts that are towards the front of the Chair Legs.

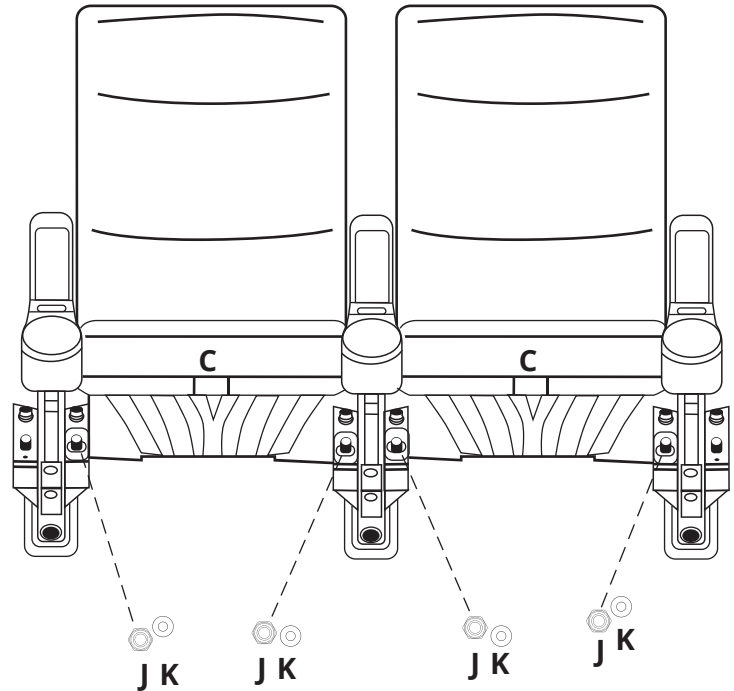


Seat Cushion

C

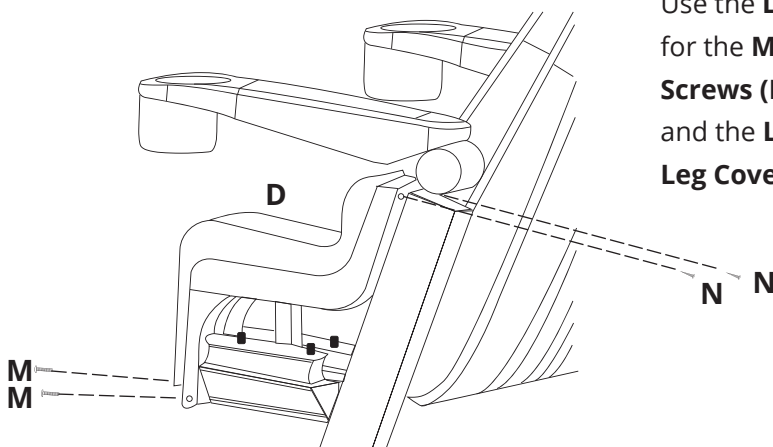
Securing the Seat Cushion

Use the **Hex Nuts (J)** and **Washers (K)** to attach the **Seat Cushion (C)** to the bolts that are towards the front of Chair Legs.

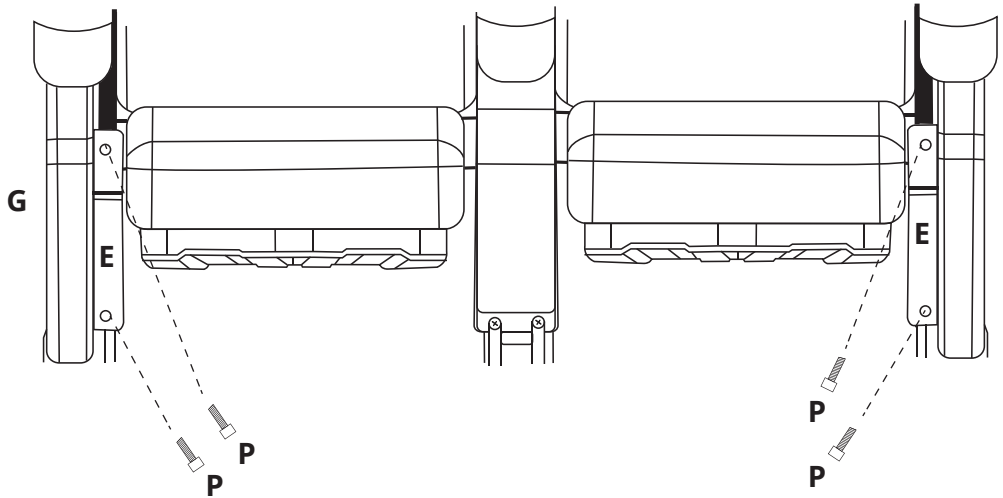


Attach the Leg Cover

Use the **Leg Cover (D)** to hide the Chair Leg Hardware for the **Middle Chair Legs (H)**. Use the **Short Pointed Screws (N)** to Secure the back of the **Leg Cover (D)** and the **Long Screws (M)** to secure the front of the **Leg Covers (D)**.

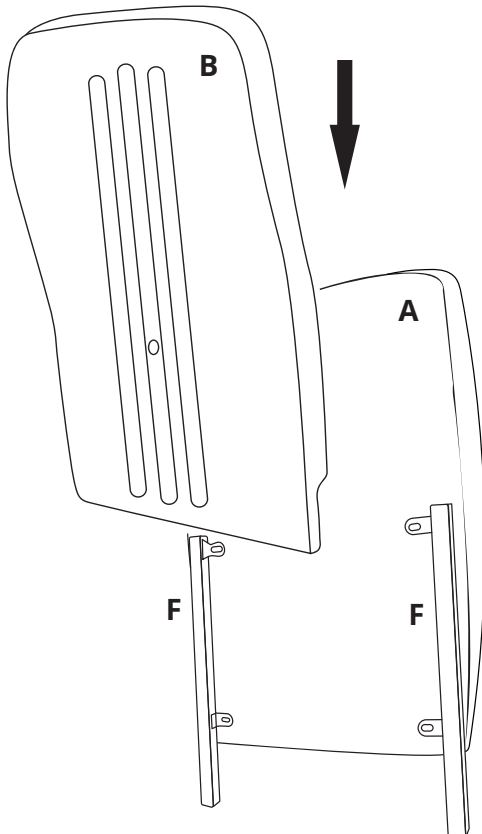


Attaching the Trim



The **Trim (E)** is used on the outer **Left and Right Chair Legs (G & I)**. Attach the **Trim (E)** with **Hex Screws (P)** on the corresponding **Chair Legs**.

Attach the Seat Back Shell



Slide the **Seat Back Shell (B)** on to the **Support Bars (F) x 2** with the **Seat Back Cushion (A)** attached.

