



FEATURES

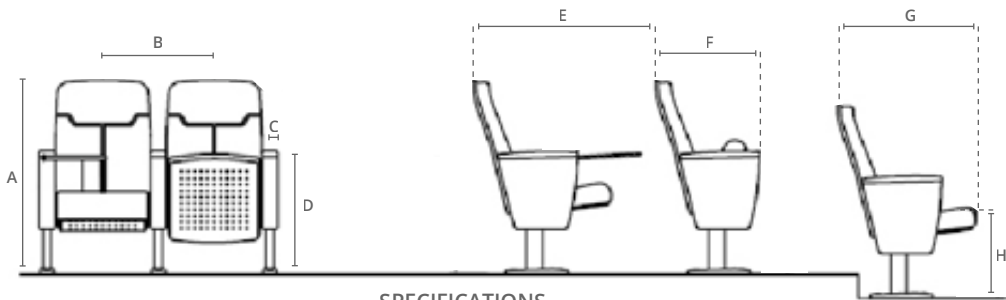
- Cold-Rolled Steel Construction
- Plywood Seat Back
- High Density Molded Foam
- Wood Armrest
- Optional Table
- Noise Absorbing Plywood Bottom

SPECIFICATIONS

(MEASUREMENTS IN INCHES)

A - Chair Height	40.16"
B - Center to Center	22.44"
C - Arm Width	3.15"
D - Arm Height	23.62"
E - Min. Clearance	35.43"
F - Chair Depth Closed	23.22"
G - Chair Depth Open	29.53"
H - Seat Height	17.72"

This model is completely customizable and can be modified for different measurements.



SPECIFICATIONS

the **5079** series

OCTANE
SEATING
HIGH PERFORMANCE COMFORT